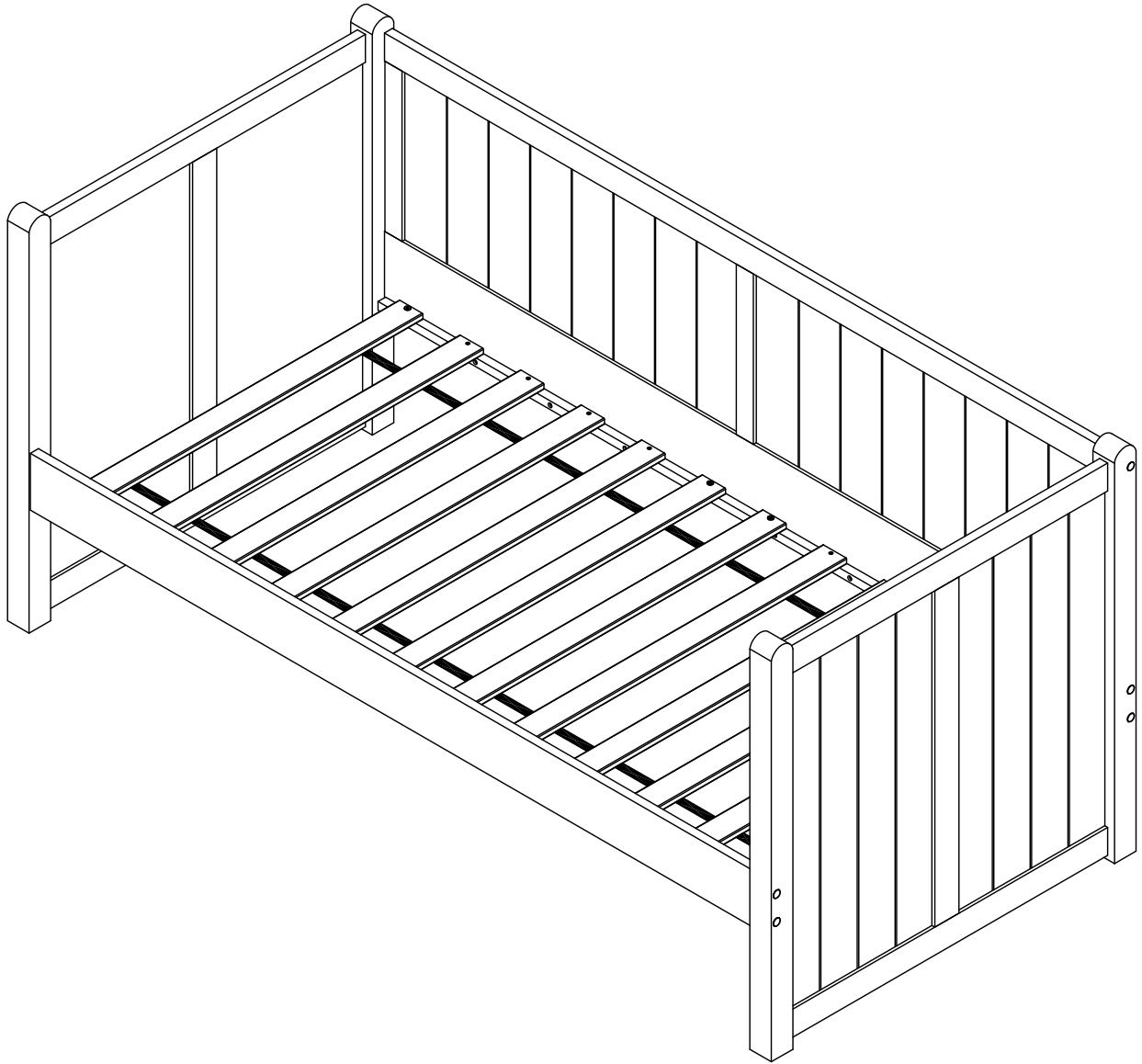


# ASSEMBLY INSTRUCTION

## MODEL : HAMPTON DAY BED (915 x 1905)MM



**WARNING !**

The packaging and contents can be a choking hazard, therefore keep them away from small children and babies as they may choke on them.



## Safe and Care Advice

### Important - Please read these instructions fully before starting assembly

- Check you have all the components and tools listed.
- Remove all fittings from the plastic bags and separate them into their groups.
- Keep children and animals away from the work area, small parts could choke if swallowed.
- Make sure you have enough space to lay out the parts before starting.
- Do not stand or put weight on the product, this could cause damage.
- Assemble the item as close to its final position (in the same room) as possible.
- Assemble on a soft level surface to avoid damaging the unit or your floor.
- Parts of the assembly will be easier with 2 people.



- We do not recommend the use of power drills/drivers for inserting screws as this could damage the unit. Only use hand screwdrivers.
- Dispose all packaging carefully and responsibly.

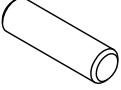


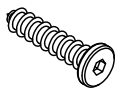


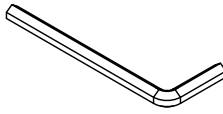

### Glue safety - Take care when using glue, please follow the advise below

- Skin contact :  
Remove contamination by washing with soap and water. This procedure should also be followed prior to eating and drinking.
- Eye contact :  
Rinse immediately with clean water for 15 minutes and seek medical advise.
- If swallowed :  
Seek medical advise immediately.

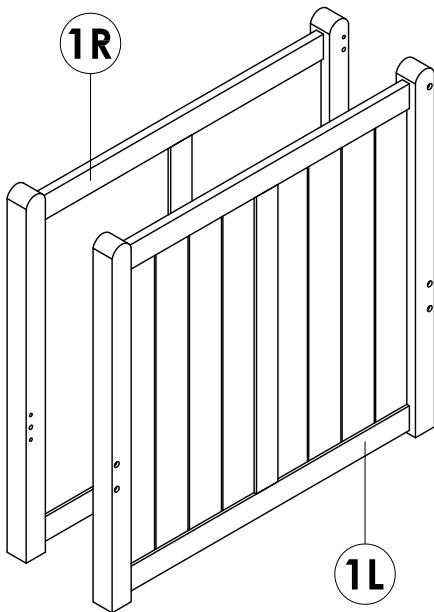
### Care and maintenance

- Only clean using a damp cloth and mild detergent, do not use bleach or abrasive cleaners.
- From time to time check that there are no loose screws on this unit.
- This product should not be discarded with household waste. Take to your local authority waste disposal center.

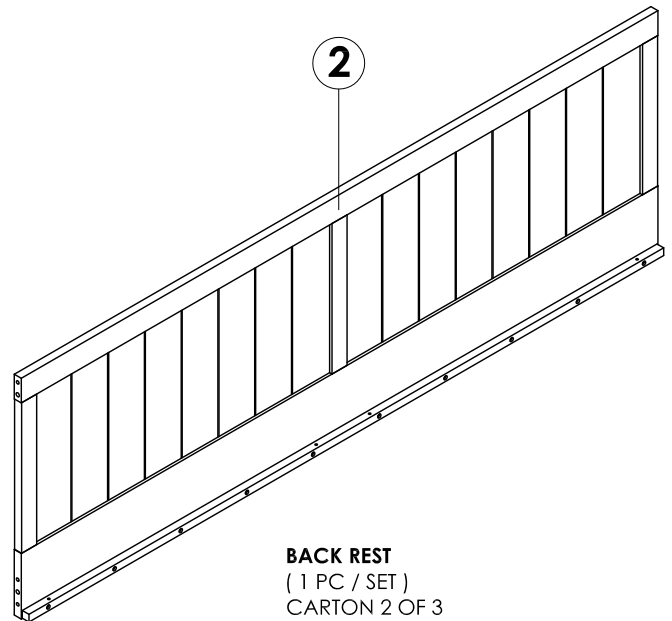
## HARDWARE LIST (VP 381)

<b>A</b>  PLASTIC DOWEL (M10 x 35MM) <b>6 PCS</b>	<b>B</b>  JCBC BOLT (M6 x 100MM) <b>10 PCS</b>	<b>C</b>  JRN NUT (M6 x 13MM) <b>10 PCS</b>
<b>D</b>  JCBC W SCREW (M7 x 32MM) <b>8 PCS</b>	<b>E</b>  CSK C/B SCREW (M4 x 32MM) <b>16 PCS</b>	<b>F</b>  HOLE PLUG (15MM) <b>10 PCS</b>
<b>G</b>  ALLEN KEY (M4 x 60MM) <b>1 PC</b>	 <p><b>Do not recommend the use of power drills/drivers for inserting bolts/screws as this could damage the unit.</b></p> <p><b>Tools Required :</b>                      Crosshead Screw Driver</p>	

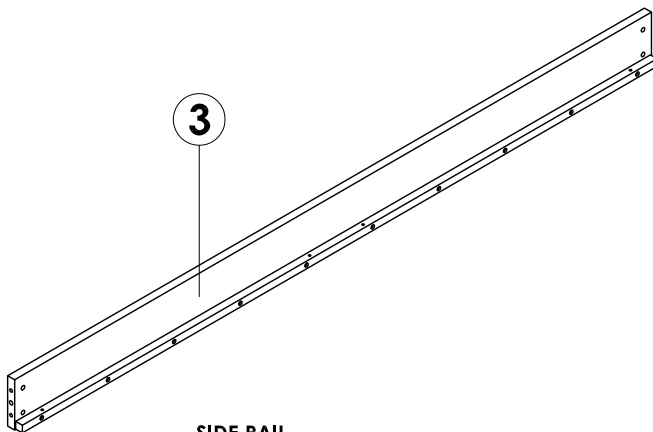
## PART LIST



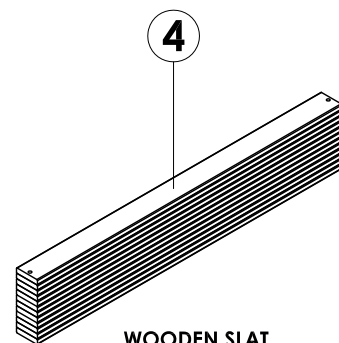
**HEADBOARD (L/R)**  
 ( 2 PCS / SET )  
 CARTON 1 OF 3



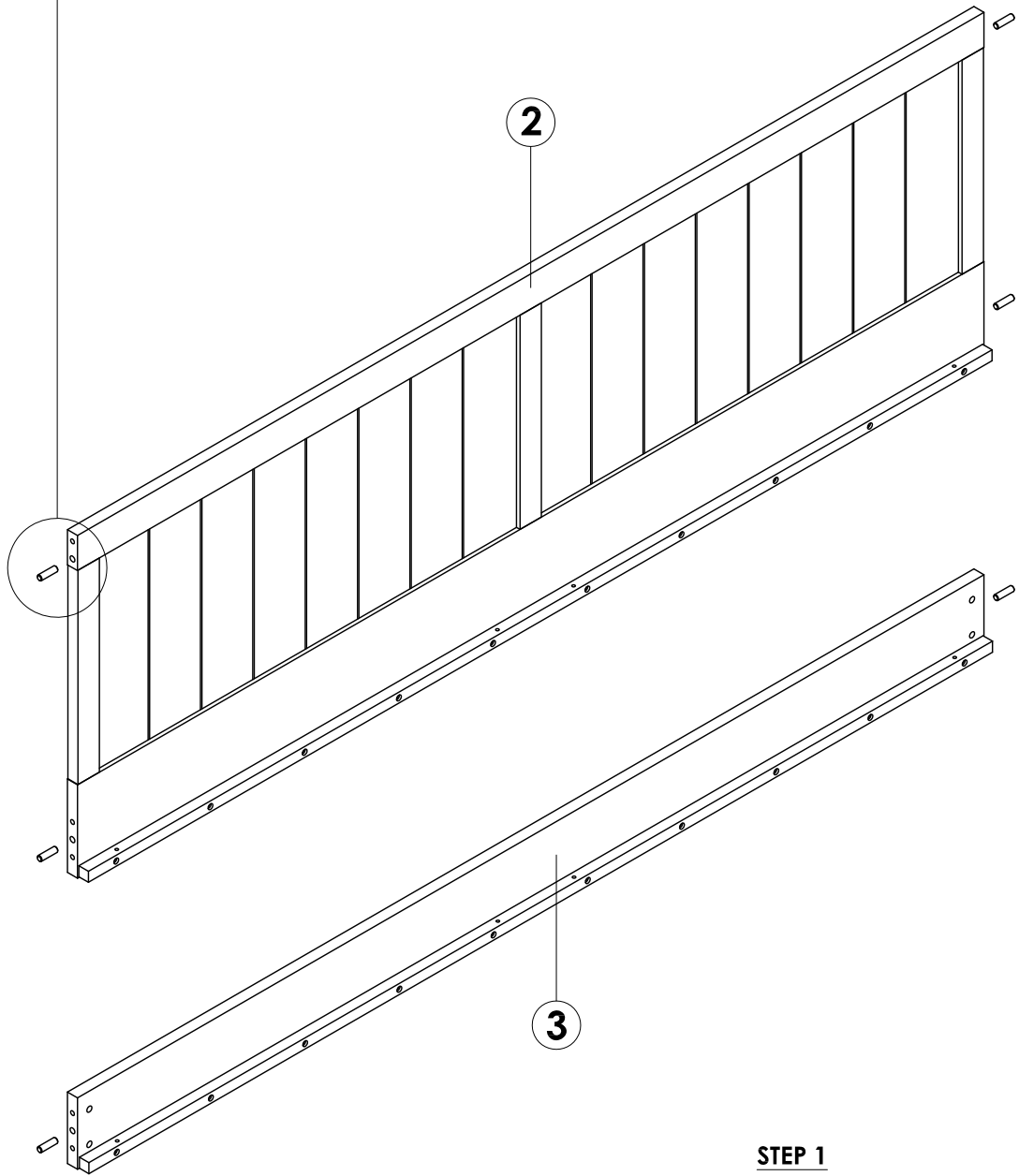
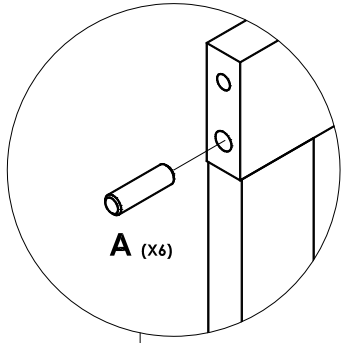
**BACK REST**  
 ( 1 PC / SET )  
 CARTON 2 OF 3



**SIDE RAIL**  
 ( 1 PC / SET )  
 CARTON 2 OF 3

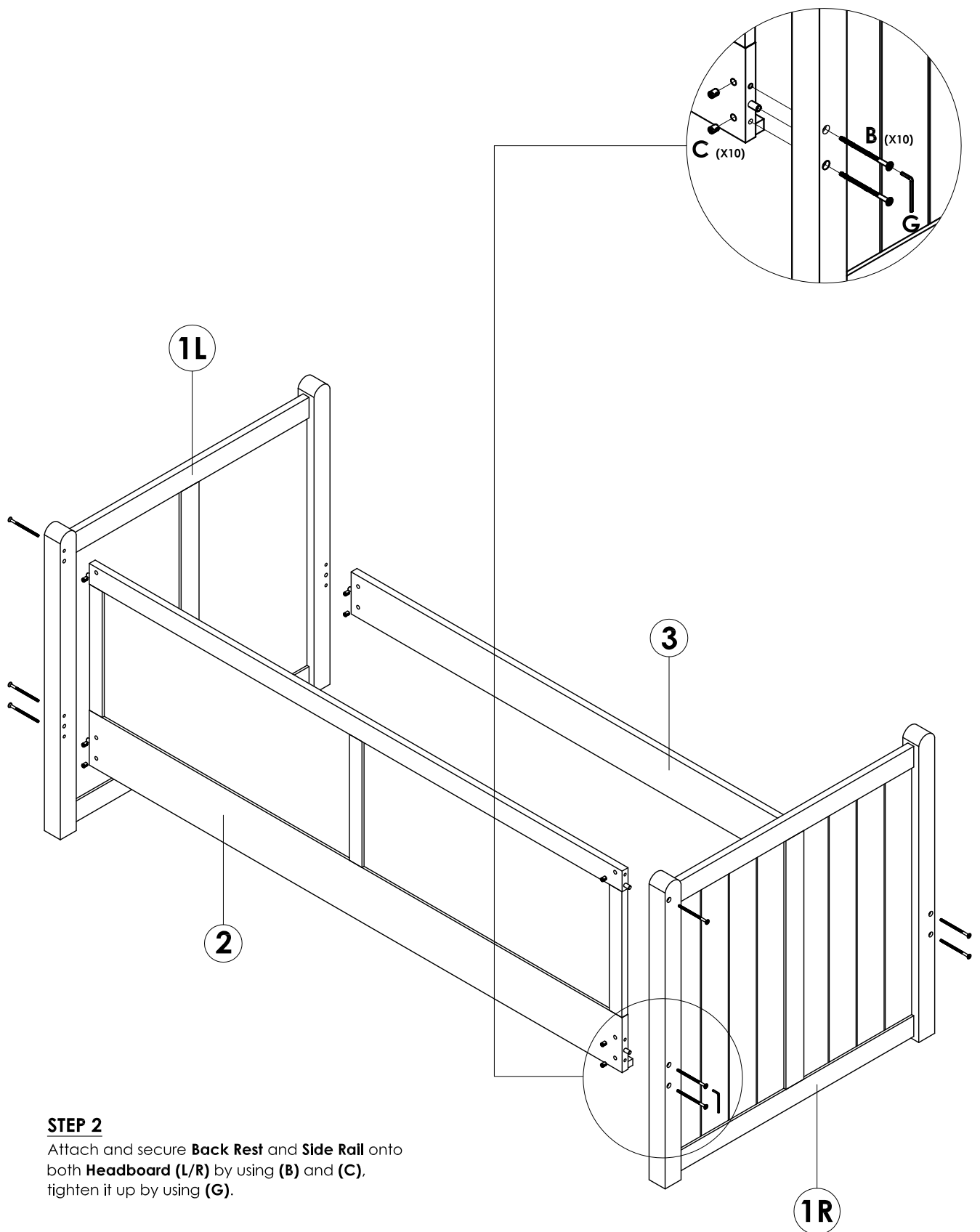


**WOODEN SLAT**  
 ( 12 PCS / SET )  
 CARTON 3 OF 3



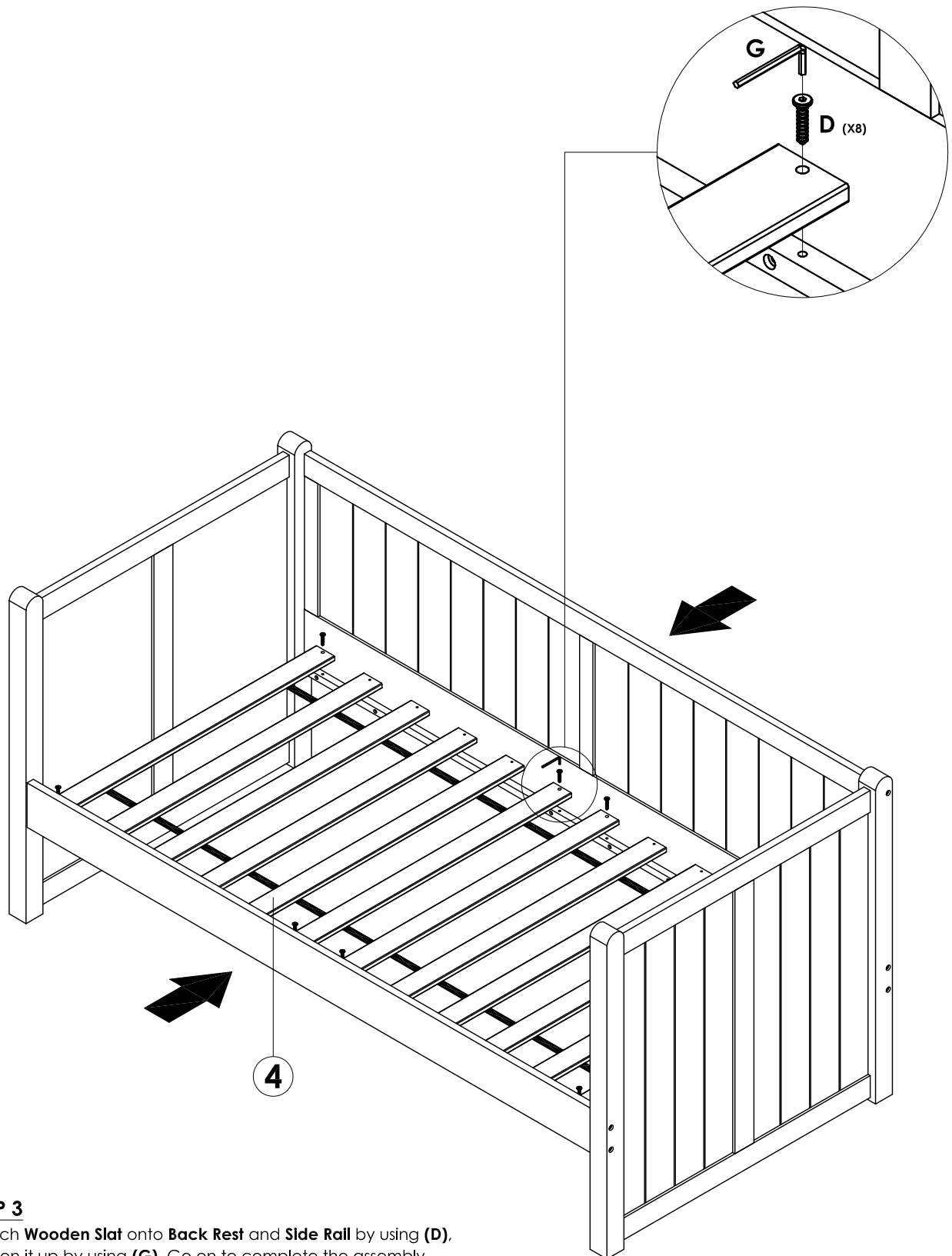
**STEP 1**

Insert **(A)** into  $\text{Ø}10\text{MM}$  holes on **Back Rest** and **Side Rail** by using a Rubber Hammer.



**STEP 2**

Attach and secure **Back Rest** and **Side Rail** onto both **Headboard (L/R)** by using **(B)** and **(C)**, tighten it up by using **(G)**.



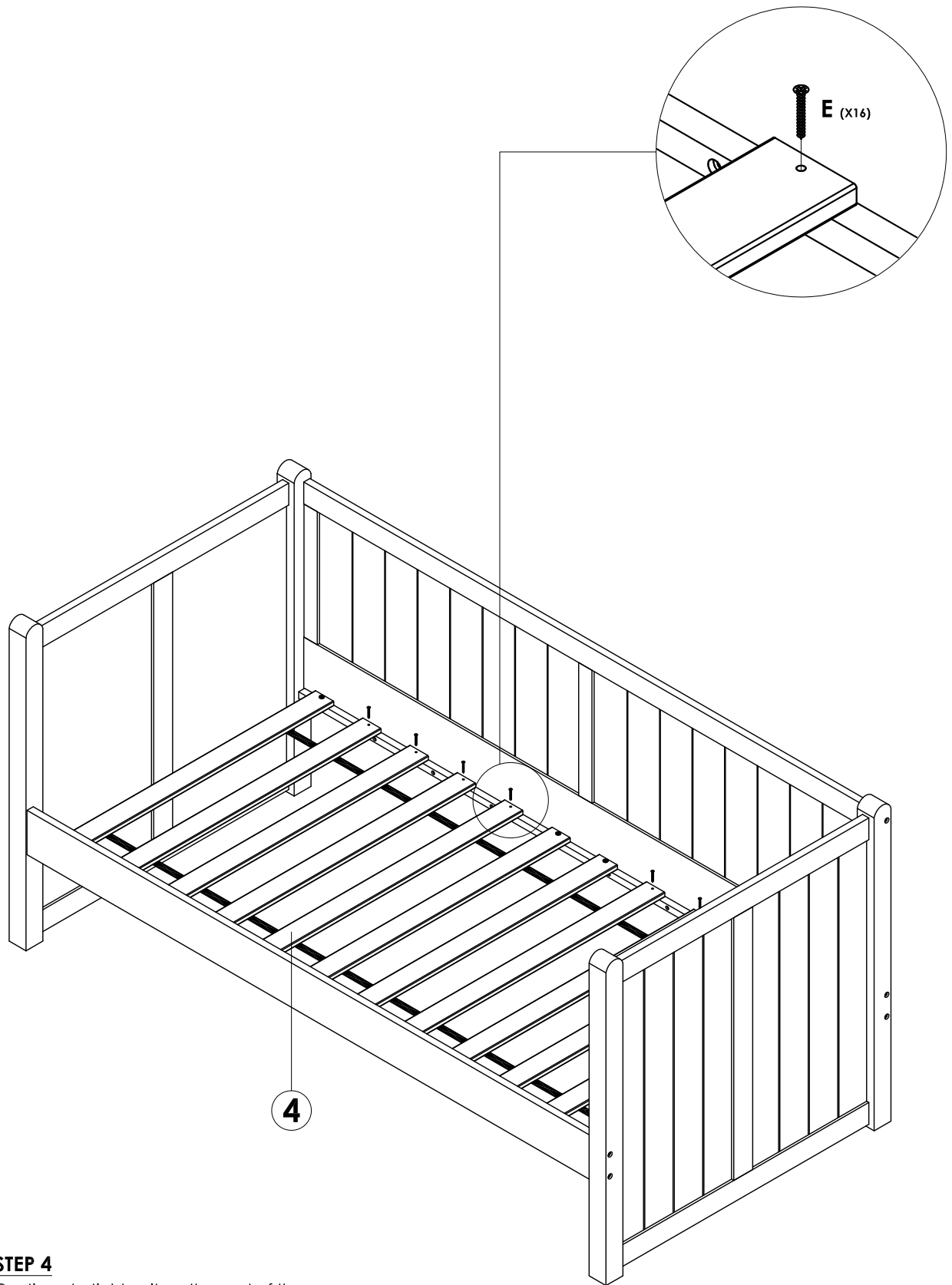
### STEP 3

Attach **Wooden Slat** onto **Back Rest** and **Side Rail** by using **(D)**, tighten it up by using **(G)**. Go on to complete the assembly.

*\*Align both **Back Rest** and **Side Rail** before tightening the screws.*

#### **Remark:**

- i) Please lift up one side of headboard to straighten the bed.
- ii) Align the last and first slat and tighten the D screw on both end side.
- iii) Side Rail is flexible, screw on one side of 2 centre slats first by using D Screws, then tighten the other 2 centre slats immediately.  
If necessary you may need to push the centre of side rail and pull the slat gently toward you at the same time which will close the gap.

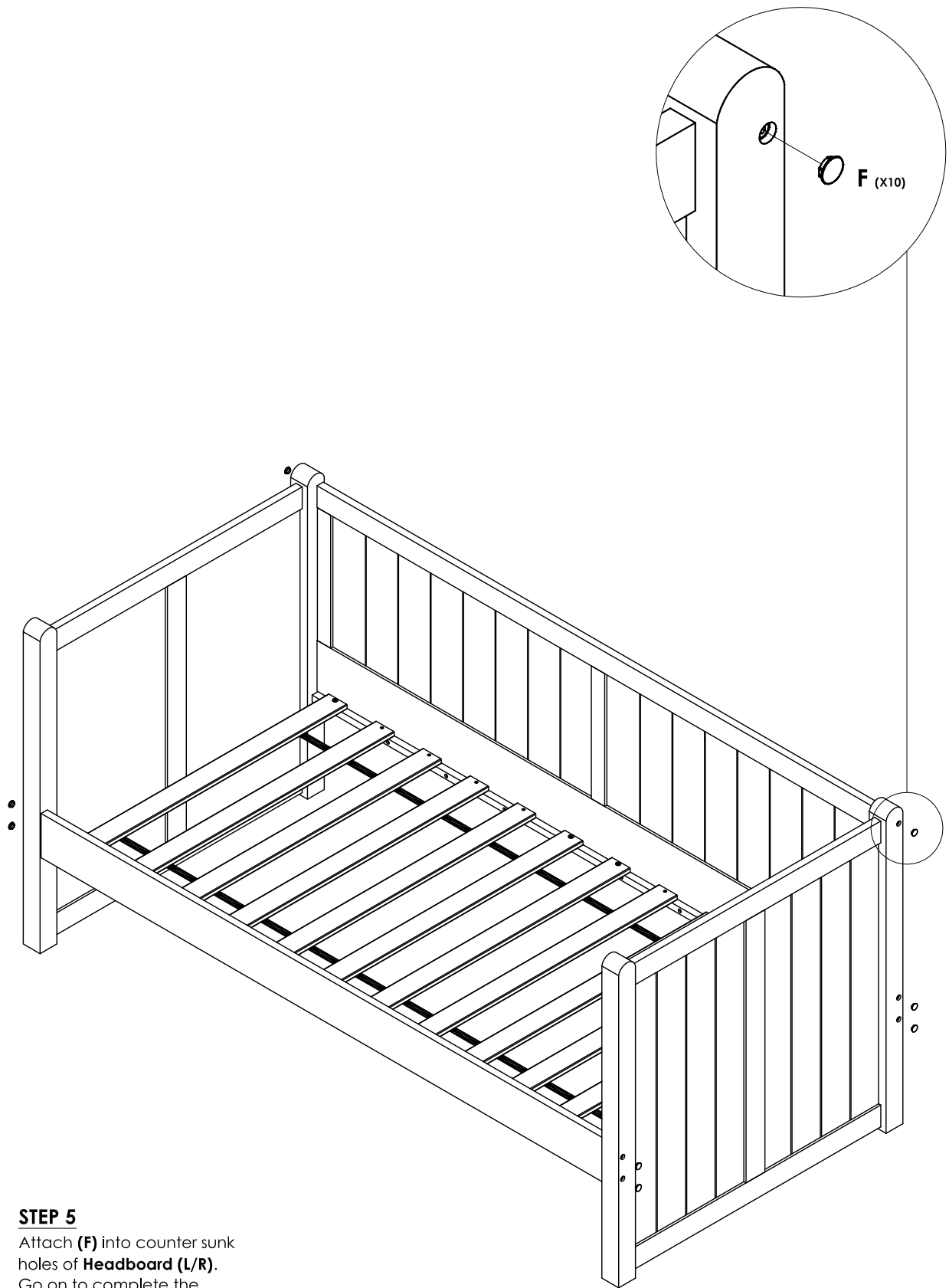


**STEP 4**

Continue to tighten it up the next of the slat by using **(E)**, tighten it up by using a Crosshead Screw Driver.

**Remark:**

*i) Tighten the rest of the screw.*



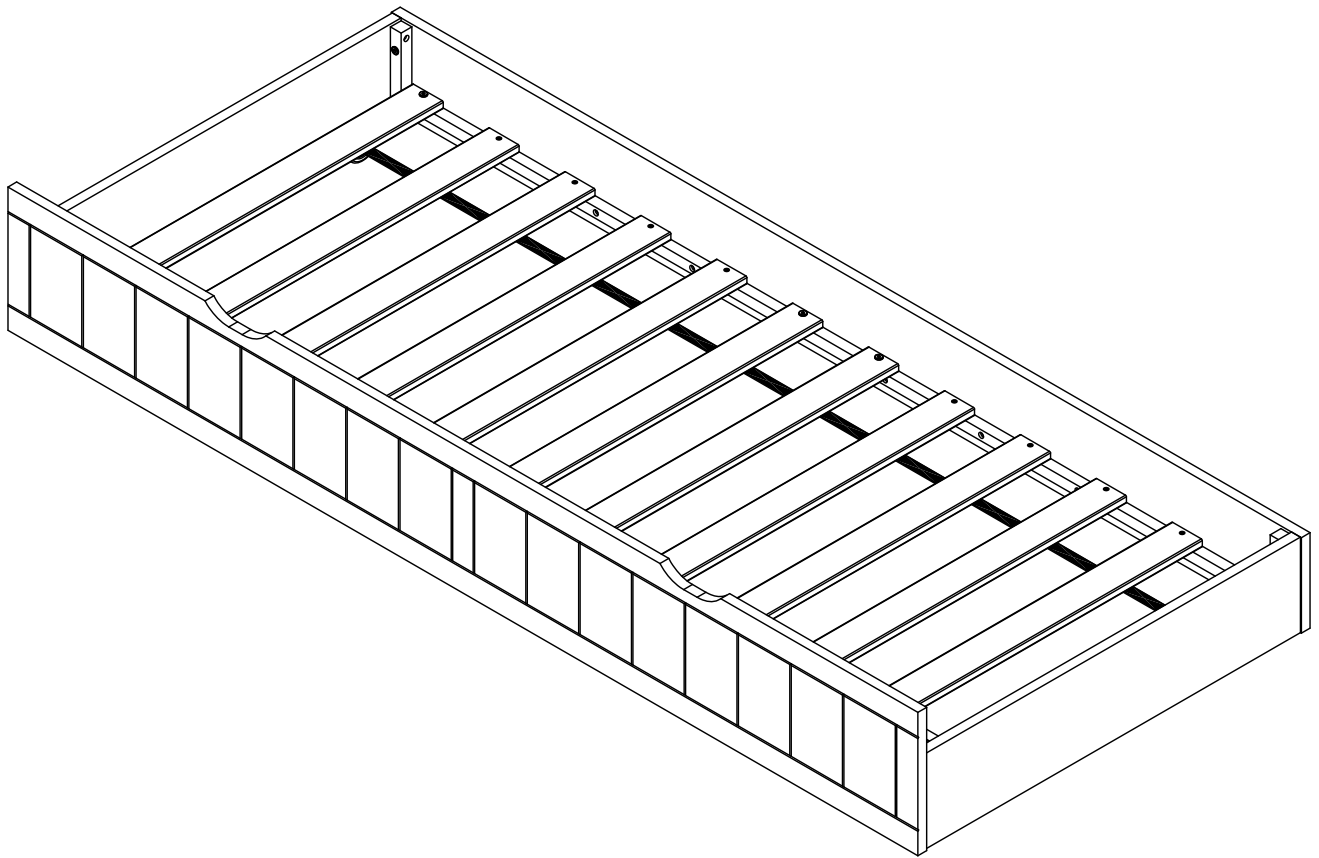
**STEP 5**

Attach **(F)** into counter sunk holes of **Headboard (L/R)**.  
Go on to complete the entire assembly.



# ASSEMBLY INSTRUCTION

## MODEL : HAMPTON TRUNDLE (770 x 1830)MM



**WARNING !**

The packaging and contents can be a choking hazard, therefore keep them away from small children and babies as they may choke on them.



## Safe and Care Advice

### Important - Please read these instructions fully before starting assembly

- Check you have all the components and tools listed.
- Remove all fittings from the plastic bags and separate them into their groups.
- Keep children and animals away from the work area, small parts could choke if swallowed.
- Make sure you have enough space to lay out the parts before starting.
- Do not stand or put weight on the product, this could cause damage.
- Assemble the item as close to its final position (in the same room) as possible.
- Assemble on a soft level surface to avoid damaging the unit or your floor.
- Parts of the assembly will be easier with 2 people.



- We do not recommend the use of power drills/drivers for inserting screws as this could damage the unit. Only use hand screwdrivers.
- Dispose all packaging carefully and responsibly.

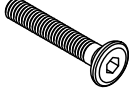
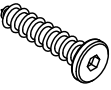

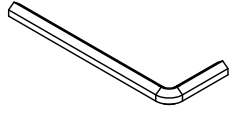

### Glue safety - Take care when using glue, please follow the advise below

- Skin contact :  
Remove contamination by washing with soap and water. This procedure should also be followed prior to eating and drinking.
- Eye contact :  
Rinse immediately with clean water for 15 minutes and seek medical advise.
- If swallowed :  
Seek medical advise immediately.

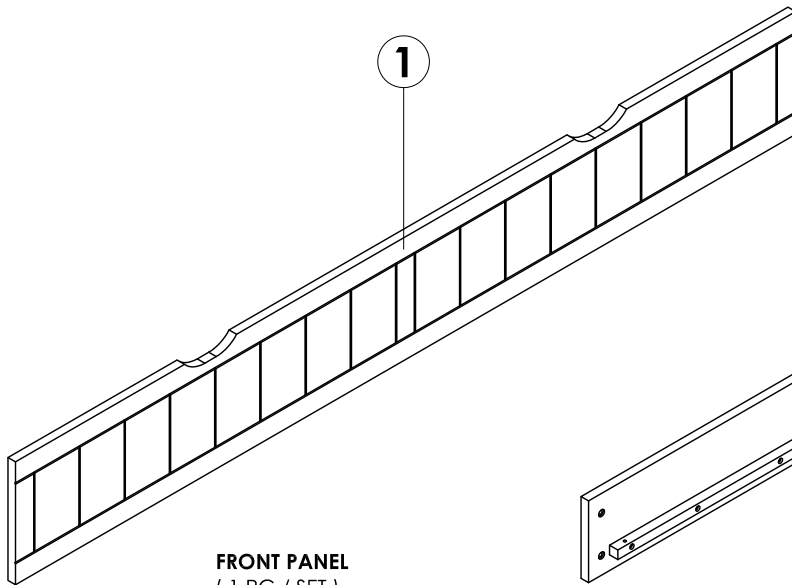
### Care and maintenance

- Only clean using a damp cloth and mild detergent, do not use bleach or abrasive cleaners.
- From time to time check that there are no loose screws on this unit.
- This product should not be discarded with household waste. Take to your local authority waste disposal center.

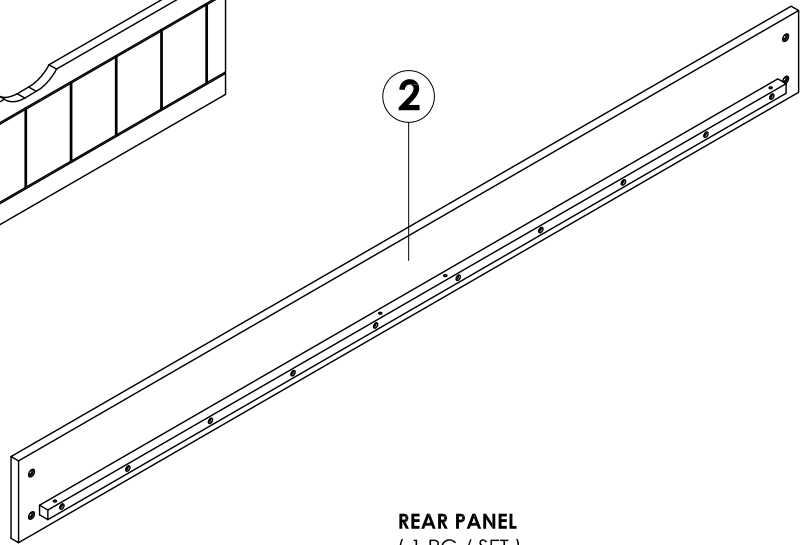
## HARDWARE LIST (VP 382)

<p><b>A</b></p>  <p>JCBC BOLT (M6 x 35MM)</p> <p><b>8 PCS</b></p>	<p><b>B</b></p>  <p>JCBC W SCREW (M7 x 32MM)</p> <p><b>8 PCS</b></p>	<p><b>C</b></p>  <p>CSK C/B SCREW (M4 x 32MM)</p> <p><b>16 PCS</b></p>
<p><b>D</b></p>  <p>ALLEN KEY (M4 x 60MM)</p> <p><b>1 PC</b></p>	 <p><b>Do not recommend the use of power drills/drivers for inserting bolts/screws as this could damage the unit.</b></p> <p><b>Tools Required :</b> Crosshead Screw Driver</p>	

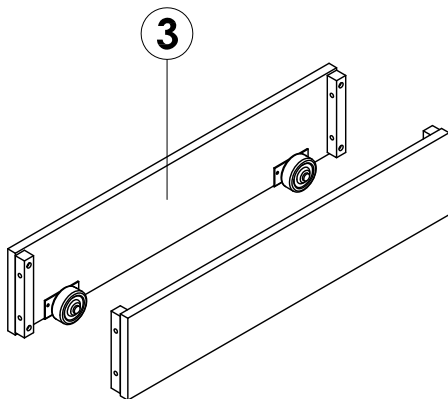
## PART LIST



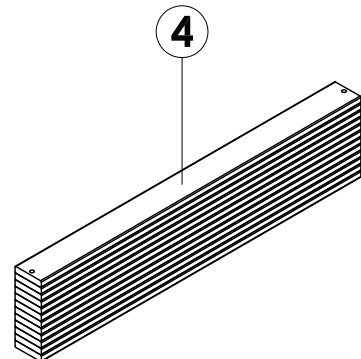
**FRONT PANEL**  
( 1 PC / SET )  
CARTON 1 OF 1



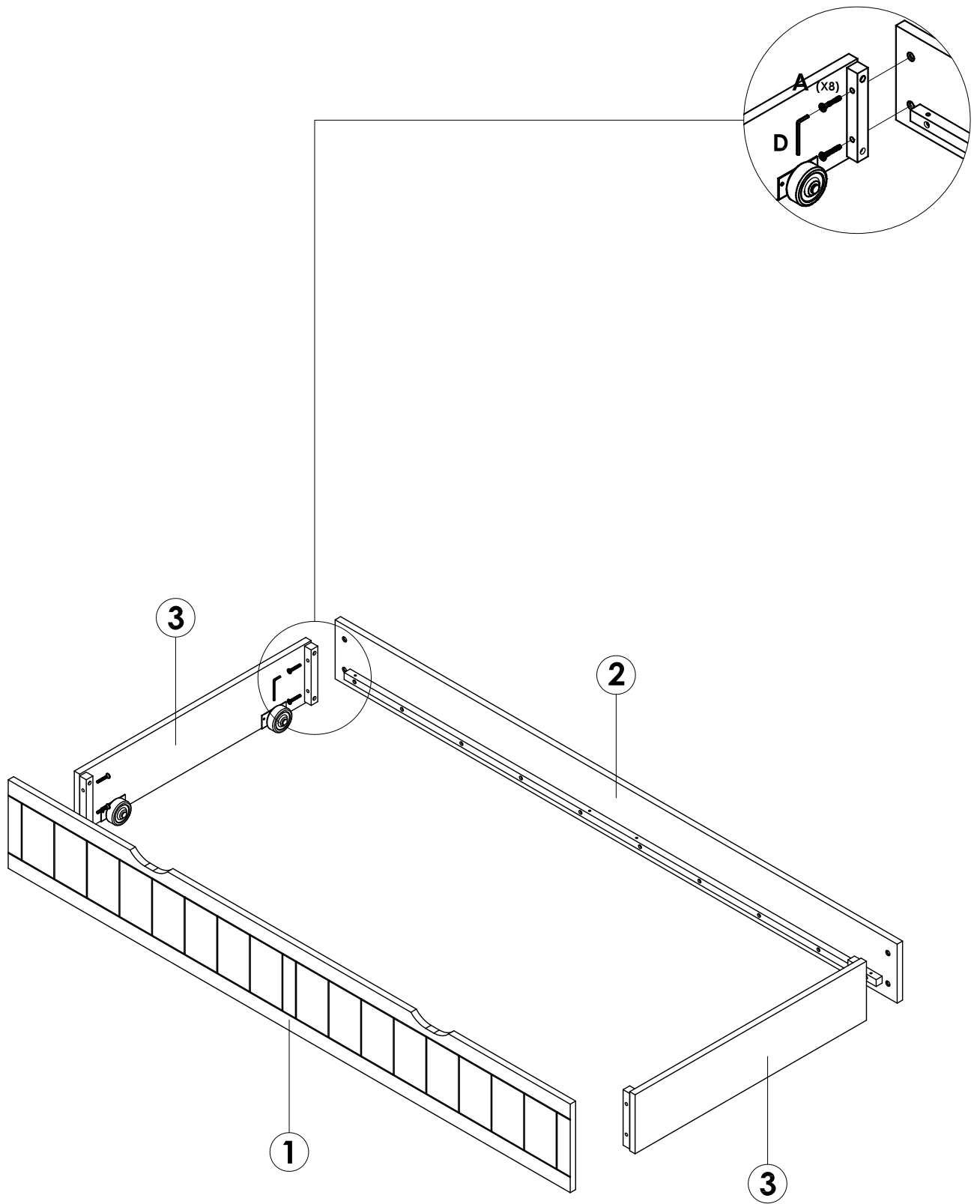
**REAR PANEL**  
( 1 PC / SET )  
CARTON 1 OF 1



**SIDE PANEL**  
( 2 PCS / SET )  
CARTON 1 OF 1

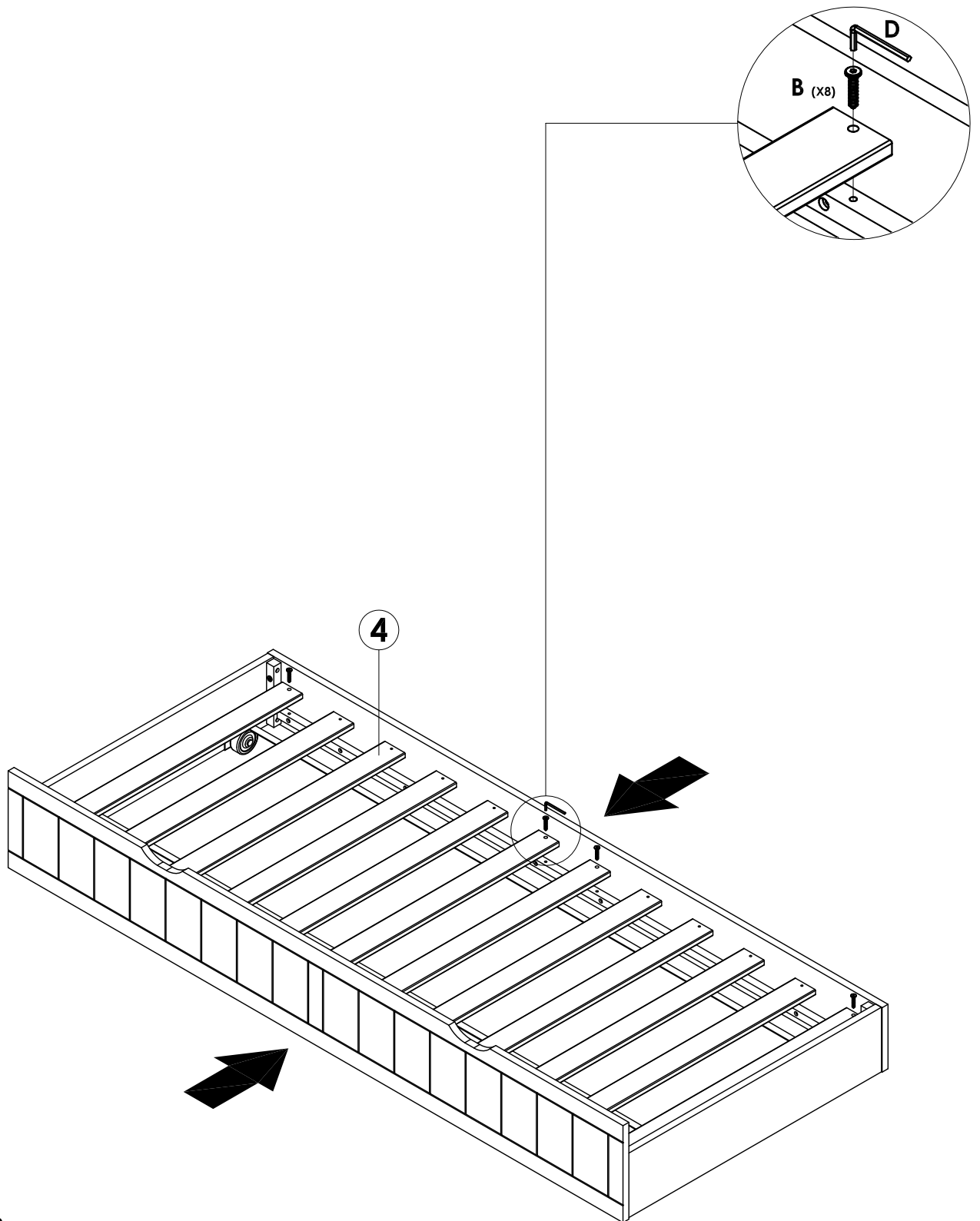


**WOODEN SLAT**  
( 12 PCS / SET )  
CARTON 1 OF 1



**STEP 1**

Attach and secure **Front & Rear Panel** onto both **Side Panel** by using **(A)**, tighten it up by using **(D)**.



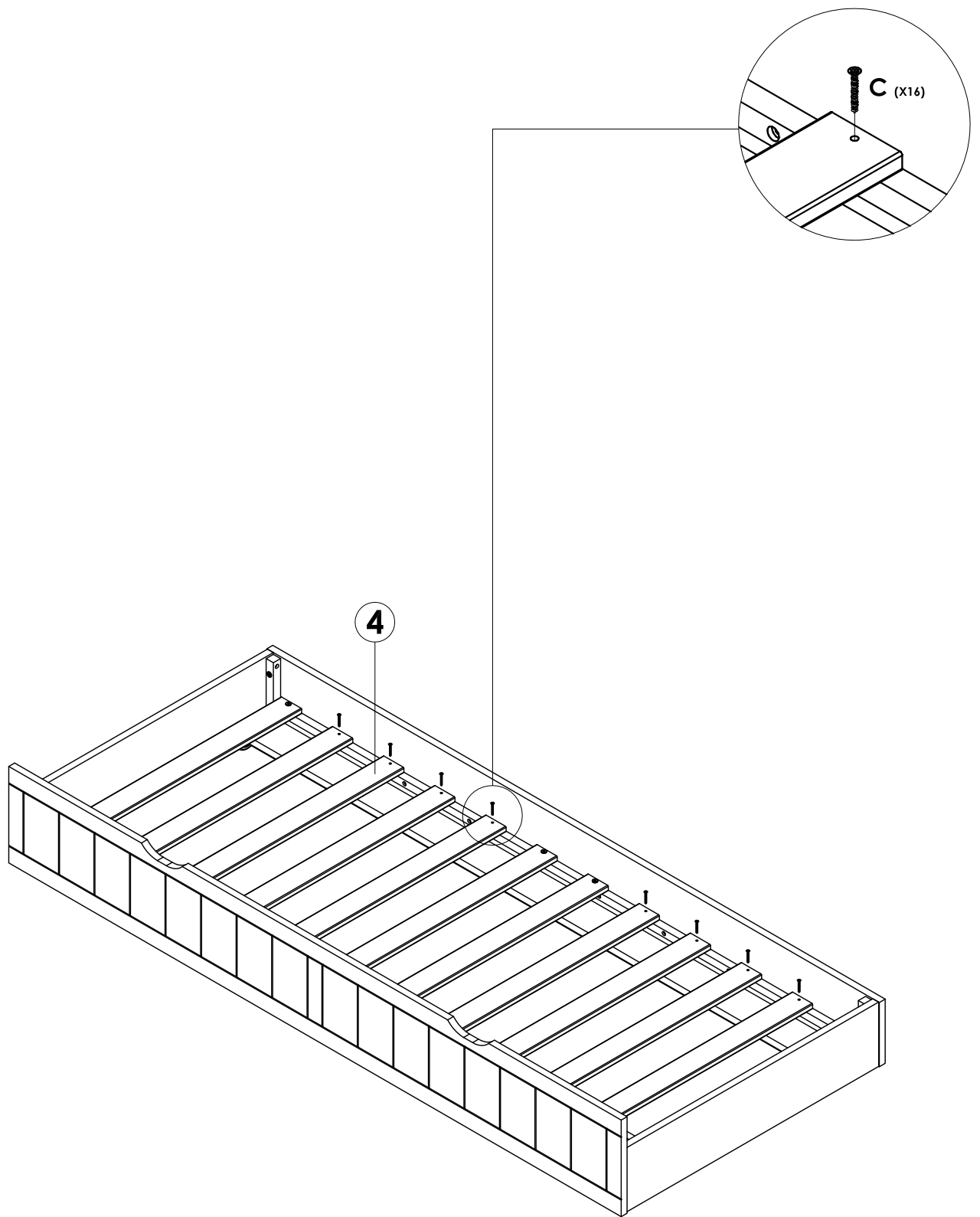
## STEP 2

Attach **Wooden Slat** onto **Front** and **Rear Panel** by using **(B)**, tighten it up by using **(D)**. Go on to complete the assembly.

\*Align both **Front** and **Rear Panel** before tightening the screws.

### Remark:

- i) Please lift up one side of side panel to straighten the bed.
- ii) Align the last and first slat and tighten the B screw on both end side.
- iii) Side Rail is flexible, screw on one side of 2 centre slats first by using B Screws, then tighten the other 2 centre slats immediately.  
If necessary you may need to push the centre of side rail and pull the slat gently toward you at the same time which will close the gap.



### **STEP 3**

Continue to tighten it up the next of the slat by using **(C)**, tighten it up by using a Crosshead Screw Driver.

**Remark:**

*i) Tighten the rest of the screw.*